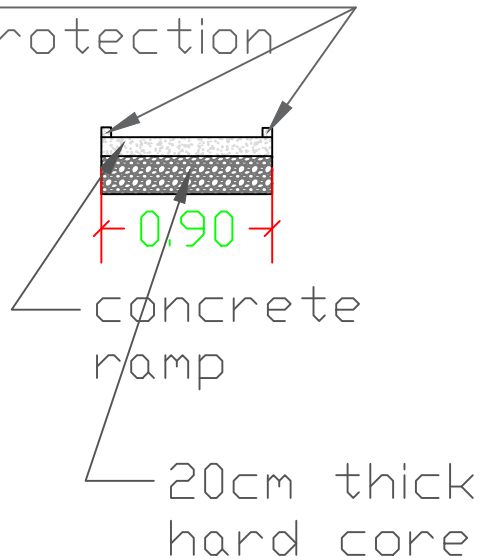
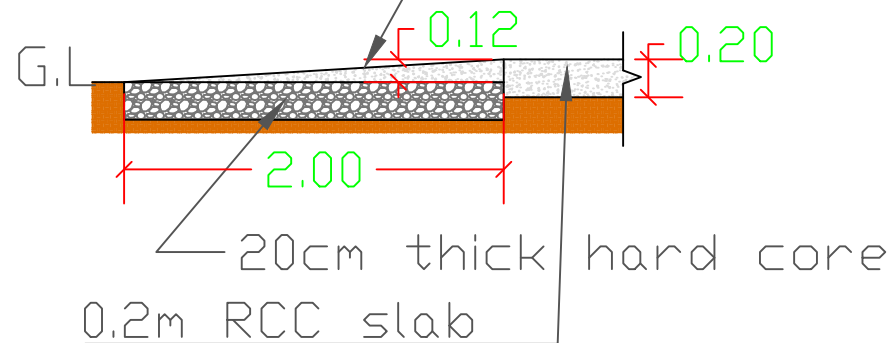


5cm high concrete edge protection



6% slope  
concrete ramp  
with 0.12m rise



Sectional Details of the Ramp

General Note:

DRAWN BY:  
Mulatu Kassa  
WASH Technical  
Specialist

\\s\drive - World Water WASH Results\pic and related\WV\branding\WV-Branding

Project:  
SHF Jariban  
Puntland

HH VIP  
Latrine -  
disabled

Drawing Title:  
Plan  
Date:  
Dec 2021